

WHAT'S INSIDE:

PAGE 2

Assignments, Guests, Hospitality, New Member Induction

PAGE 3

Fines, Happy Dollars, Social Activities

PAGE 4

Club Calendar and Weekly Numbers

PAGE 5

Announcements, Wallace House, Kempf House, Testing Help Wanted

PAGE 6

Club Info, Thanks to Our Advertisers

PAGES 7-10

KCW Thrift Sale Work Schedules

New Log In procedure...

Remember to sign in/out at the Greeter Station as you enter the main sales floor when working at the Kiwanis Center.

UPCOMING PROGRAMS....

- **February 26**—*City of Ann Arbor—A2 Fix It*. Speaker: Robert Keller. Introduction by: **Dale Leslie**.
- **March 5**—*The Impact of a Mass Shooting*. Speaker: Brenda Quiet. Introduction by: **Steve Hiller**
- **March 12**—*The KEEP*. Speakers: Shannan Gibb Randall and Lindsey Nelson, of In-Site Design. Introduction by: **Margaret Krasnoff**.



Kiwanis®

CLUB OF ANN ARBOR

Volume 9, Issue 20

February 12, 2018

TODAY'S PROGRAM...

ANN ARBOR AREA COMMUNITY FOUNDATION



Alan Burg

Past President Alan Burg introduced Neel Hajra, CEO of the Ann Arbor Area Community Foundation, and Maryellen Ferro, Community Investment Officer. Neel Hajra explained that the AAACF serves all of Washtenaw County, and is the fastest growing foundation in Michigan. Established in 1963, the mission of AAACF is to establish permanent charitable funds, which are invested, and earnings returned to the community. The Foundation now awards \$6,000,000 in grants each year, including \$250,000 in scholarships.

The AAACF scholarship program was the focus of today's presentation. Neel reported that a few years ago they asked the question, "Is our job to get students TO college or THROUGH college?" They then set out to make the scholarship program more effective in helping young students succeed in college. They learned that students actually need more financial support as they make their way through college; the \$1,000 scholarship awarded thirty years ago has less impact today. They also learned that students who benefit most from financial help have low income, are part of a racial minority, and are first generation college students.

With this information, AAACF decided to develop a new program with a five-year commitment to each student and up to \$3,000 per year. Students actually need mentoring, guidance and coaching more than money, and so community partnerships were formed with Washtenaw Community College, Eastern Michigan University, and Washtenaw Intermediate School District to provide and coordinate coaching and other support services. Twelve students are in each two year cohort, with a goal of 40% graduation rate. EMU has a research grant to evaluate the new model. Many questions and comments from Kiwanis members reflected our interest in helping students succeed in college and beyond.

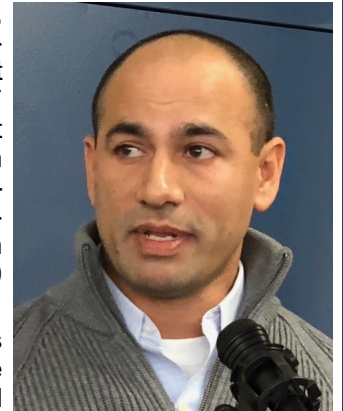
More information on the Ann Arbor Area Community Foundation can be found [here](#).

NEXT WEEK'S PROGRAM...

February 19—*Income Inequality*. Speaker: Jim Gruber. Introduction by: **Deb Jones**.

MEETINGS...

Late breaking news: Membership Growth and Education is meeting again next week to focus on the upcoming outreach event to our business neighbors. We will be working with the group heading up the outreach initiative, led by **Kathy Barden Perlberg**.



Neel Hajra, CEO of the Ann Arbor Area Community Foundation



Maryellen Ferro, Community Investment Officer, Ann Arbor Area Community Foundation



Officers and Directors

President:

Gretchen Preston

President-Elect:

William V. Hampton

Treasurer:

Greg Meisner

Secretary:

Kathie Wilder

Immediate Past-

President:

Alan Burg

Board Members:

Marianne D'Angelo
Deborah Jones
Margaret Krasnoff
Evan LeRoy
Joseph Medrano
Peter Schork
Ellen Webb



Newsletter:

Editor

Lynne Lande

Photos

Bob Gray

Publisher

John Kidle



Do you have news for the newsletter, or are you interested in advertising? Contact Publisher, John Kidle, at jkidle@gmail.com.

ASSIGNMENTS FOR THE COMING WEEK...

KCW Cashiers & Sales	<u>See Pages 9 and 10</u>
KCW Sorting & Pricing	<u>See Pages 7 and 8</u>
Vouchers	2/15—Ellen Webb, Nancy Schenk, Eloise Lavin, Mark Lavin, Bud Roberts, Susan Smith, Sue Dailey, Dee Smit, Sally Lamkin.
Invocation	Lynne Lande
Greeters	Claire Dahl (A), Max Ziegler, Mitch Goodkin, Deb Jones
Hospitality	Fred Sanchez
Newsletter	Lynne Lande
Cashier	Max Ziegler

GUESTS AT OUR CLUB...

Mitch Goodkin introduced our guests: Mark Lavin, husband of **Eloise**; Paul Herndon of Western Kiwanis; Bill Harris, Marion Hoey, and Esther Hampton, guests of **William Hampton**; Melissa Zhou and Jill Davidson from Circle K. We are glad you came and look forward to having you join us again soon.

HOSPITALITY...

Sad News Just In... Letitia Byrd passed away on the morning of February 14 at Glacier Hills. No word on arrangements at this time.

Fred Sanchez reported that **Jeanette Okuley** is improving and doing well; **Clar Dukes** had been in the hospital with a rapid heartbeat, but will be back with us soon. Former member of our club, **Doug Olsen**, has been diagnosed with an inoperable form of brain cancer. He is undergoing six weeks of treatment and is on the fourth floor at St. Joe's. **Bill VanArsdalen**, a well known Kiwanian, passed away last weekend.

NEW MEMBER INDUCTION AND 3-MINUTE SPEECH...

Today we inducted **Charlie Phibbs** into our club. Charlie is also a member of Western Kiwanis and a Past Lt Gov of our old division 10. He has been a friend and frequent presence at our meetings for so long, that it seemed more like formalizing an already strong relationship.

Charlie went on to give his 3 minute speech:



Charlie Phibbs

Charlie was co-MC and song leader of the Western Kiwanis Christmas Sing for 20 years. He served as Lieutenant Governor of Division 10 in 2016-17. A true Townie, Charlie was born at the old St. Joes Hospital on N. Ingalls, a building constructed in 1905. He attended Ann Arbor Schools including the Old Perry School on Packard. (Wow, that was a long time ago).

Music has been part of Charlie's life since childhood, visiting Grandparents or sitting on the steps listening to Sinatra, Damone, and Dean Martin "crooning" on the record player during his parents' parties. Charlie took his love of music to EMU, and was accepted there in The Music School. Charlie grew up in the family home on Granger, along with two older brothers. Now he has two sons and two grandsons, who are the third generation of Phibbs to attend Wines School.

Charlie is happily retired; he is looking forward to playing golf once the snow melts, and to working with us all on the Sale and other Kiwanis activities. Welcome, Charlie! We are so glad to have you with us.

FINES...

On the heels of **William** announcing that one of his guests is a prospective member, someone (?) rose to propose a fine on anyone without a guest who is a prospective member. William did not even bother to call for a vote and passed the motion single-handed.

HAPPY DOLLARS...

- ☺ **Max Ziegler** was sorting and found 15 cents in a box, and then he came upon a bag of silverware in the loo, so he put a happy \$1.15 in the pot. Not sure what happened to the bag of silverware.
- ☺ **Eloise Lavin** is happy to celebrate Mark's good health and their 31st anniversary on Valentine's Day.
- ☺ **Dale Leslie** is happy to have been at the AAACF luncheon for donors and to see his family named fund listed along with big donors. Likes the equal importance and recognition of all gifts.
- ☺ **Charlie Phibbs** is happy to be a member of the Kiwanis Club of Ann Arbor and also announced a Super Interclub on March 15. Details to follow.
- ☺ **Emily Allshouse** was happy and grateful to **Kathy Perlberg** for cleaning the kitchen and refrigerator last Saturday and for the Valentine candy from **William**, (who was seen delivering chocolates to all the women in the room...sorry, guys!)
- ☺ **Dick Smit** is proud of his 10 year old granddaughter and her Ann Arbor skating group, The Hockettes, for winning first place at a competition in Midland.
- ☺ **John Goff** announced that the Market is not dying, that he is happy his son's basketball season is over (John is their coach), that his wife Sherri is recovering well from ACL surgery, that he is grateful for the concern and support expressed to her by Kiwanians, and finally, he is delighted to celebrate his mother's 91st birthday with \$91.
- ☺ **Claire Dahl** is off to Georgia to visit one of the four original "Rosies", who is 105 years old today.
- ☺ **Garry Donner** then came forward to say he was happy to celebrate an early Valentine's Day with his mother, who is 94 years old. He did not, however, put \$94 in the pot.

SOCIAL ACTIVITIES...

- **Mary Stewart** announced she will be able to get a few more tickets to the Encore Theater production *Millionaire Quartet* Sunday at 2:00. The group will go out for dinner afterwards. Call Mary if you are interested in attending this highly rated performance.

- Don't forget to sign up for the Tiger ballgame trip!



Ann Arbor Downtown Kiwanis Club & Guests
Detroit Tigers



Vs.



Minnesota Twins
Saturday, August 11, 2018
\$70

Package Includes: Fiesta Tigres!

- Chartered Gateway Tours and Charters 55 passenger motor coach with reclining seats, rest room & AC
- Bus will be at AA Pioneer High School Parking Lot at 3:30 P.M. Arrival back between 10:00-11:00 P.M., depending on the length of the game
- 5" Club Sandwich, pop, chips, munchies on the bus
- Driver's Tip
- Reserved Infield Upper Deck Box Ticket, Section 327, rows 6-10, left field
- GREAT SEATS - Behind Home Plate

Reservations: First come-first served-Space is limited
Call: Fred Sanchez 734-277-7077
Email: fsanchez@aol.com

Per Person Per Game-non refundable unless a substitute is found
Make checks payable to Kiwanis Club of Ann Arbor
Mail to: Fred Sanchez, 2645 Gladstone Ave, Ann Arbor, MI 48104



Known worldwide as the place for the "funkiest" gift.

Check for Special Items on



and



Every Week!

*Since 1921
Over \$6,300,000
in Proceeds from
the Kiwanis
Thrift Sale have
been used to
Benefit Our
Community.*



Kiwanis Merchandise is now available online at A2kiwanis.org or [here](#). Samples available at TKC.

February 2018

Sun	Mon	Tue	Wed	Thu	Fri	Sat
				1 <i>KYP Meeting</i>	2 Sale & Donations: TKC 9-1	3 Sale: & Donations TKC 9-1
4	5 <u>Flight of the Butterflies</u>	6	7	8	9 Sale & Donations: TKC 9-1	10 Sale: & Donations TKC 9-1
1	12 <u>A2 Community Foundation</u>	13	14 <i>Valentine's Day</i>	15	16 Sale & Donations: TKC 9-1	17 Sale: & Donations TKC 9-1
18	19 <u>Income Inequality</u> <i>Presidents' Day</i>	20 <i>Board Meeting 6:30pm at TKC</i>	21	22	23 Sale & Donations: TKC 9-1	24 Sale: & Donations TKC 9-1
25	26 <u>Let's A2 Fix-it!</u>	27	28			

March 2018

Sun	Mon	Tue	Wed	Thu	Fri	Sat
				1 <i>Kiwanis Young Professionals</i>	2 Sale & Donations: TKC 9-1	3 Sale & Donations: TKC 9-1
4	5 <u>The Impact of Mass Shooting</u>	6	7	8	9 Sale & Donations: TKC 9-1	10 Sale & Donations: TKC 9-1
11	12 <u>The Keep - Kiwanis Nature Area</u>	13	14	15	16 Sale & Donations: TKC 9-1	17 Sale & Donations: TKC 9-1 <i>St. Patrick's Day</i>
18	19 <u>Human Trafficking - A World Crisis</u>	20 <i>6:30pm Board Meeting</i>	21	22	23 Sale & Donations: TKC 9-1	24 Sale & Donations: TKC 9-1
25	26 <u>Genesis: Cross & Star of David: Ecumenical Wisdom at Work</u>	27	28	29	30 Sale & Donations: TKC 9-1	31 Sale & Donations: TKC 9-1



This Week's Numbers

Attendance:
54

Fines:
\$17.75

Happy \$:
\$120

Mott Pot:
\$0 Today
\$747.62 YTD

Vouchers:
\$?
? Families
\$28,114 YTD
140 Families YTD

Thrift Sale:
Kiwanis Center:
\$5,011
Other:
\$105
TOTAL:
\$5,116
\$202,977 YTD
The Sale was closed on Friday.



☛ The fact that you are taking time to read this indicates a high aptitude for being a newsletter editor. ☛ Email John Kiddle at jkiddle@gmail.com immediately to volunteer ☛

ANNOUNCEMENTS...

- **Pres Elect William**, in honor of Black History Month, announced that the NAACP was founded on February 12, 1909. The Ann Arbor chapter was established in the early 60's. There was more good information, but the editor was sitting at the piano and didn't have pen and paper at hand.
- **Larry French** reported on the meeting with representatives from Kiwanis International Children's Fund. The purpose of the meeting was to share information and to encourage additional financial support. Larry reviewed our successful and generous support of two KI initiatives: IDD and Eliminate. Our club gives \$10 per member to the KI Children's Fund each year.
- Here is the link for donating to Circle K students' alternative Spring Break at the end of this month. Alyssa Schmidt is trying to raise \$1,000 on a GoFundMe page to help with expenses of their trip to James River State Park in Virginia, where they will work on trails and other tasks in preparation for the spring season. Alyssa has already raised \$450 of the \$1,000. I think we can help them reach the goal!"
Link: <https://www.gofundme.com/ckenvironmentasb2018>

WALLACE HOUSE FOLLOW UP NEWS...

When Lynette Clemetson of Wallace House recently spoke to our club she foreshadowed this special presentation. It is free and open to the public.

Free Speech and the Necessity of Discomfort

Tuesday, Feb. 20 | 4 - 5:30 pm
Lydia Mendelssohn Theatre
911 N. University Avenue, Ann Arbor



New York Times columnist Bret Stephens calls disagreement "The most vital ingredient of any decent society" and argues that shutting down disagreeable speech does more to imperil our principles than uphold them. Join him for a provocative discussion on the role of social and personal discomfort in education and its necessity in a functional democracy.

AND WHILE YOU'RE GETTING CULTURED UP...

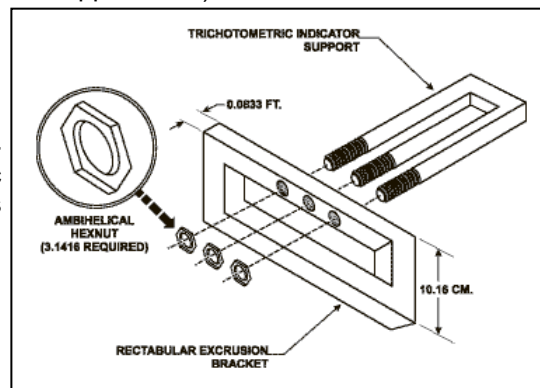
Listed below are the March events for the Kempf House Museum (<http://www.kempfhousemuseum.org/>).

- **March 7**—*A brief history of German clocks*
- **March 14**—*Mid-Century Modern Architecture*
- **March 21**—*Jackie Ormes --The First African American Woman Cartoonist*
- **March 28**—*The Love, Lure, and Lore of the Clothesline*

All events are Noon-1 p.m., at Kempf House, 312 S. Division. Free (donations appreciated). 994-4898.

TESTING AND REPAIR...

The Small Appliance (and anything else that shows up) Testing and Repair area at the Kiwanis Center could use some additional help. Basic skills in home repair useful. Stop in to see what's going on. The work is interesting.



Our Sponsored Programs
in Service to Youth:



"Serving the Children of the World...our motto, our mission"

**KIWANIS CLUB
OF ANN ARBOR
Meetings:**

Noon on Mondays at
The Kiwanis Center
100 N. Staebler, Suite C
Ann Arbor, MI 48103-9755

www.a2kiwanis.org

Building Phone:
734-665-2211



Sale and Donation Hours

The Kiwanis Thrift Sale
At The Kiwanis Center
100 N. Staebler at Jackson
Fridays and Saturdays
9am-1pm

Saleable Donation Drop
Off:
Fridays and Saturdays
9am-12:30pm

Call for Donation Pickup:
734-665-0450



Other Links:

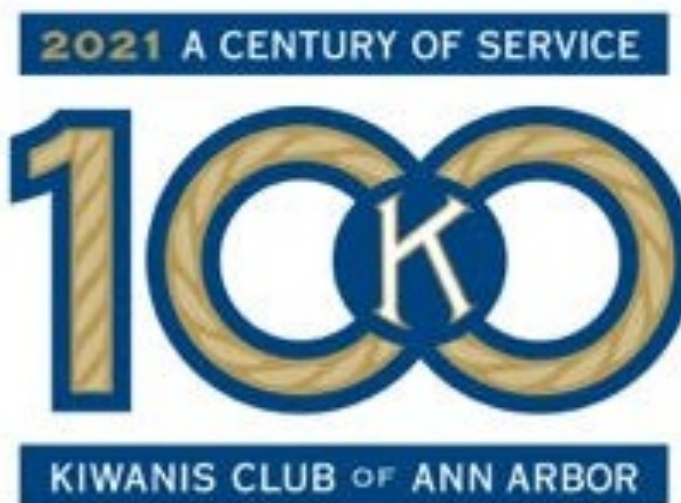
- [Michigan District Kiwanis](#)
Click [here](#) to read the latest *Michigan Builder*.
- [Kiwaniis International](#)
- [Kiwaniis Young Professionals of Washtenaw County](#) Meets 6pm first Thurs. of Month
- [U of M Circle K](#)
Meets 7pm Thursdays at UM Union or League (Check Calendar on Website)
- [Kiwaniis Club of Ypsilanti](#)
Meets Noon Wednesdays at EMU Student Center
- [Ann Arbor Western](#), Meets Noon Tues. at Quarter Bistro

"Serving the Children of the World"

Interested in becoming a member? Please send an e-mail to MembershipGrowth@a2kiwanis.org or visit the website www.a2kiwanis.org.



The Kiwanis Center



Thanks to Our Advertising Supporters...



RE/MAX Platinum Realtors, Doug Ziesemer
734-769-8111, dfziesemer@aol.com

Betty Jean Harper, Visiting Vet
Veterinary Visits in YOUR Home 734-475-9474

Andrea Kotch Duda, CFP®, Raymond James and Associates, Inc.
www.RaymondJames.com/andreakotchduda, 734-930-0555

Clarity Financial Advisors, Mark S. Wishka, ChFC, CFP, CLU, CRPC, CASL, REBC, RHU, CDFA, CLTC—734-995-3996, markwishka.com

Gardner & Associates, P.C., Attorneys
Ron@GardnerLawAA.com

Jim Carey Realtor®, Charles Reinhart Realtors
734-717-5591, jcarey@provide.net

KEY FOR SORTING GROUP- SO:Sorting, SP: Sorting/Pricing, SR:Sales/Repair, SS:Sorting/Stocking Shelves, TR:Test/Repair, U:Unavailable,			Date>	12-Feb	13-Feb	14-Feb	15-Feb	16-Feb	17-Feb
	AREA	Task	M	T	W	Th	F	S	
Aiken, Erin*	Sort	SO	U	U	U	U	U	SO	
Anglin, Mike	Sort	SO	U	U	U	U	U	?	
Argyle, Ray	Elct	TR							
Bagchi, Carol*	Lin	SO	U	U	SO	U	SO	U	
Barden-Perlberg, Kathy	Sort	SO							
Bassett, John	Men	SO	SO	U	U	SO	U	U	
Berg, Isabel*	Bks	SO	U	U	U	U	U	SO	
Bertoni, Patrick*	Sort	SS	U	U	U	U	U	?	
Bignall, Gloria*	Lin	SO	U	U	U	U	U	U	
Birkle, Leah*	To	SO	SO	U	U	U	U	U	
Birkle, Mike*	Sort Test/Rep	TR	TR	U	U	U	U	U	
Bomar, Francine*	Sort	SO	U	U	SO	U	U	U	
Boone, Elizabeth*	CI-W	SO	SO	U	U	U	U	U	
Brown, Pamela*	Sort	SP	U	U	U	U	U	SP	
Burbridge, Cecile	Jewekry	SP	SP	U	U	U	?	?	
Burg, Alan									
Burroughs, Dan	Hard, Sort	SO, SS	U	U	U	U	U	U	
Buttrum, Carole*	CI	SO	U	U	U	SO	U	U	
Choate, Susan*	Hard	SO	SO	U	U	SO	U	U	
Chuang, Michael	Cameras								
Clear, Janet*	HO OS	SO SS	U	U	SS	U	U	U	
Cramer, Susan*	Toy	SO SS	SO	U	U	U	SO	U	
Dahl, Claire	FI	SO	U	U	U	U	U	U	
D'Angelo, Marianne	Sort	SP	U	U	U	U	SP	SP	
Dailey, Sue	Hard	SO	SO	U	U	SO	U	U	
Damon, Jill*	CI	SO	SO	U	U	U	U	U	
Danforth, Jim*	Hard	SO	SO	U	U	SO	U	U	
Dever, Dan	Hard	SO	U	U	U	U	U	SO	
Dittmar, Larry	Sort	TR	U	U	U	SS	U	U	
Dittmar, Prudy*	Ho, OS	SO, SS	U	U	SS	U	U	SS	
Evans, Linda	Dolls	SO							
Evans, Mary	Dolls	SO							
Ferguson, Mary	CI	SO	U	U	U	SO	U	U	
Finch, Billy*	Bk	SO, SS SP	U	U	U	U	U	SS	
Ford, Jack*	Rec	SO SS	U	U	U	U	U	U	
Gilligan, George	Lig, El	TR	U	U	U	U	U	U	
Golm, Paul*	Bk, Elect	SO SS	U	U	U	U	U	?	
Gravlin, Katherine*	Bk	SO SS	U	U	SO	U	U	U	
Duynslager, Peggy	Lin	SO SS SP							
Hadwin, Karen*	Sort	SO	U	U	SO	U	U	U	
Hanton, Doug	Hard	SO,SS	SP	U	U	SP	U	U	
Harback, Mike*	Bk	SO SS SP	U	U	SO	U	U	SO	
Harper, Betty	Bk	SO SS SP	U	U	SO	SO	U	U	
Harris, Linda*	Sort	SO SS	U	U	U	U	U		
Heller, Bill	Bk	So	U	U	U	SO	U	U	
Hill, Mary*	CI	SO	SO	U	U	SO	U	SO	
Johnson, Bob	Cash so	CA SO				SO			
Jones, Ken	Sales, Casshier	CS							
Kavanagh, Gary	Sort	SO SS	U	U	U	U	SS	U	
Keyes, Sharon	Ar	SO SS	U	U	U	U	U	U	

Sorting,
Pricing,
Testing and
Repair
Schedule
Page 1 of 2

		WK>	2017						
KEY FOR SORTING GROUP- SO:Sorting, SP: Sorting/Pricing, SR:Sales/Repair, SS:Sorting/Stocking Shelves, TR:Test/Repair, U:Unavailable,		Date>	12-Feb	13-Feb	14-Feb	15-Feb	16-Feb	17-Feb	
		AREA	Task	M	T	W	Th	F	S
Kidle, John	El Li	TR	U	U	TR	TR	U	U	
Lamoreaux, Dave	Mens	SP	SO	U	U	SO	?	SO	
Lamkin, Sally									
Lande, Lynne									
Larsen, Jessica*	Sort	SO	U	U	U	U	U		
Lillie, Joan*	Toy	SO	SP	U	U	U	U	U	
Lillie, Rob	Toys	SO	SP						
Linden, Terry	Bk	SO	?	?	?	?	?	?	
Lutton, Louise*	An, Lin,Kid	SO SS	SO	U	U	SO	U	U	
Lyman, Fran	Sort	SO	SO	U	U	U	U	U	
MacDonald, Margaret*	Cl	SO	SP	U	U	SP	SP	U	
Marshall, Cathy*	Bk	So SS	U	U	SS	U	U	U	
Maten, Glenda*	Cl	So SP	SP	U	U	SP	U	U	
Maten, Ralph*	Doc	TR	TR	U	U	TR	U	U	
Mathews, Joan*	Toys,	SO	U	U	U	SO	U	U	
Mattson, Ann	Sort	SO	U	U	U	U	U	U	
McNish, Jan*	VinTo	SO SS	U	U	U	SO	SO	U	
Meneghini, Linda*	Lin	SO	U	U	U	U	SS	U	
Messer, Joan*	Sort	SO	SO	U	U	U	U	U	
Misko, Susan*	Sort	SO	SO	U	U	U	U	U	
Neff, Merry*	Cl	SO	SO	U	U	SO	U	SO	
Nuhn, Rob*	Sort	TR	U	U	U	U	TR	U	
Orlowski, Bill	Repair	TR	U	TR	U	U	U	U	
Price, Amy*	Sort	SO SS							
Rabidoux, Sandra	Sort	SO SS	U	U	U	U	U	U	
Richard, Veronica	Jewel	SO. SS	SO	U	U	U	U	U	
Robb, Bill	Elect	SO TR	U	U	U	U	U	U	
Schaffner, Paul*	HW	TR	U	U	U	U	SP	U	
Schenk, John	Art	SO SS							
Schuman, Fred*	Bk	SO SS	U	U	SO	SO	U	U	
Schuman, Rhonda*	Bk	SO SS	U	U	SO	SO	U	U	
Smit, Dick	Men	SO	SO	U	U	SO	U	SO	
Smith, Susan M	Sort	SO SS	U	U	U	U	SO	U	
Soden, Sally*	Sort GI	SS	SO	U	U	U	U	SO	
Stephens, Gloria	Toys, Pz	SO, SS	SO	U	SO	U	U	U	
Stewart, Mary	Sort/Pr	SO, SP	U	U	SP	SP	SP	SP	
Stuber, Elsa*	Sort	SO	U	U	U	U	U	U	
Summers, Carla	Sort	SO, SS	U	U	U	U	SO	U	
Wells, Marcia*	GI	SO	SO	U	U	SO	U	U	
Wells, Sherell	CL	SO				SO			
Wider, Kathie	Cl	SO, SP							
Williams, Brian	Ant/Coll	SO	SO	U	SO	SO	U	U	
Ziegler, Carol*	Cl-W	SO	SO	U	U	U	U	U	
Ziegler, Max	Sort	SO	SO	U	U	SO	U	SO	

Sorting,
Pricing,
Testing and
Repair
Schedule
Page 2 of 2

Key for F & S Sale Workers. A:Available, CC:Cashier, CS:Cashier/Sales, DK:Dock, GR:Greeter, OD: Officer/Day, P:Preferred work date, SK:Sales/Dock, SS:Sales, WR: Wrapper, U:Unavailable, DT:Cashiering at KCW			16-Feb	17-Feb
Area	Task		F	S
			9-1	9-1
Allshouse, Emily	Cash	CC	U	U
Argyle, Ray	Elect	SS	SS	SS
Babcock, Bryce	Cash, Sales	CS	U	U
Barden, Bob	Dock, Floor	SS	DK	U
Barden, Kathy	Greet	GR	?	?
Barhydt, Rose Marie	Greet?/		U	GR
Bartlett, Lisa*	Jewel	CS	U	U
Bassett, John	Men's	SS	U	SS
Beeman, Gordon	Cash, Sales	CS	U	U
Blomquist, Jim	Dock, Sales	SS	U	U
Brokaw, Ted	Cash	CC/WR	U	CC
Brown, Jerry	Greet, Sales	CS, GR	U	U
Burbridge, Cecile*	Jewel	CC, CS		CS
Burg, Alan (SS)	Sales	SS	U	U
Carrier, Kelly	Sort	SO	U	
Clemence, Mary*	Jewel	CS	U	U
Colwell, Amanda	Dock, Sales	SS	U	?
Dabbs, Mike	Sales	SS	A	U
Dahl, Claire	Cash, Sales	CS	CC	CC
Dever Nick	Dock, Sales	SS/DK	U	U
Dittmar, Larry	Sales	SS	U	U
Dukes, Clair	Cash, Sales	CS	U	U
Dunham, Ruth*	Sales-W	SS	U	U
Evans, Garry	Cash	CC	CC	P
French, Larry	Cash, Sales	CS	U	U
Gilligan, George	Dock, Sales	SS	U	U
Grachak, Caroline	Wrap, Sales	WR	U	U
Gray, Bob	Everywhere	CS	OD	CS
Hillenburg, Ken	Cash, Sales	CS		
Hiller, Steve	Dock,sales	DK	U	DK
Hitchcock, Kate*	Jewel	CS	?	?
Hughes, Dave	Cash	CC/WR	U	CC
Johnson, Bob	Cash, Shoes	CC, SO		
Johnson, Demond	Dock	SS	U	?
Jones, Deb	Cash, Sales	CC, CS	U	A
Jones, Ken	Ant/Coll	CC, CS	CS	
King, Joey	Desk	WR	U	U

Cashier and Sales Schedule Page 1 of 2

Key for F & S Sale Workers. A:Available, CC:Cashier, CS:Cashier/Sales, DK:Dock, GR:Greeter, OD: Officer/Day, P:Preferred work date, SK:Sales/Dock, SS:Sales, WR: Wrapper, U:Unavailable, DT:Cashiering at KCW			16-Feb	17-Feb
Area	Task		F	S
Area	Task		9-1	9-1
Krasnoff, Margaret	Cash, Sales (Sub)	CS		
Krueger, Susan*	Jewel	CS	CS	?
LaMoreaux, Dave	Sales-Mens	SS, SO		SS
Lande, Lynne	Greet,Sales	CC, CS	U	A
Lavin, Eloise	Cash, Sales	CC	U	U
Lavin, Mark	Cash, Wr	Wr	U	U
LeRoy, Evan	Cash, Dock	CS	U	A
Leslie, Dale	Greeter, Sales	FI	A	A
Luke, Gerry	Sales	SS	SS	U
Mahmud, Tom*	Dock	DK	U	DK
Maten, Glenda*	Jewel	CS	U	U
McMahon, Jerry	Sales	DK, SS	U	U
Medrano, Joe	Sales	SS, Gr	?	?
Meisner, Greg	Dock, sales	SS, DK	U	U
Miller, Fred	Sales	SS	U	U
Powers, Dennis	Sales-An	CC	?	?
Presley, Carol*	Sales, Greet	SS,GR	?	?
Preston, Gretchen	Dock, Sales	SS	U	U
Richard, Veronica*	Jewel	CS	CS	CS
Robb, Bill	Elec	SS	U	U
Robb, Michele	Cash, Sales,	CS, SO	U	U
Roberts, "Bud"	Wrapper	WR	WR	WR
Rolka, Lynn*	Jewel	CS	CS	
Sanchez, Fred	Cash, Sales	CC, CS	CC	A
Scott, Nick*	Sales, Dock	DK	U	DK
Schaefer, Colin	Dock	DK	U	DK
Schenk, John	Sales, Dock	SS SO	U	A
Schmerberg, Kurt	Sales, Dock	SS, DK	U	DK
Schork, Peter	Sales, Dock	SS DK	U	SK
Service, Genia*	Jewel	CS	U	U
Shaw, Ron	Sales, Dock	SS	A	U
Sheldon, Cliff	Cash, Sales	CC	U	U
Smit, Dee*	Greet	GR	GR	U
Smit, Dick	Sales-Mens	SO, SS	SS	U
Springer, Sallie*	Cash, Sort	CS, SO	U	U
Springer, Sheridan	Cash, Greet	CC	U	U
Stephenson, Meg	Jewel	CS	U	CS
Summers, Carla	Cash	CC	CC	?
Talcott, Jane	Greet	GR	?	?
Tse, Leo	Dock	DK	U	DK
Webb, Ellen	Cash	CC SP	CC	CC
Wilder, Kathie	Cash/Sales	CCCS	U	CC
Williams, Brian	Ant/Coll	SS	CS	U
Williams, Julanne	Cash, Sales	CS	U	U
Williams, Nicolette	Cash, Sales	CS	U	U
Wolfington, Jim	Jewel	CS	U	
Zhou, Eric	Dock	DK	U	DK
Ziesemer, Doug	Dock, Sales	SS	U	OD

Cashier and Sales Schedule Page 2 of 2